

HEX-FLX FLYWHEEL COUPLINGS



Hayes Manufacturing, Inc.

6875 US Highway 131

Fife Lake, MI 49633

Phone: 231-879-3372 | Fax: 231-879-4330

www.hayescouplings.com

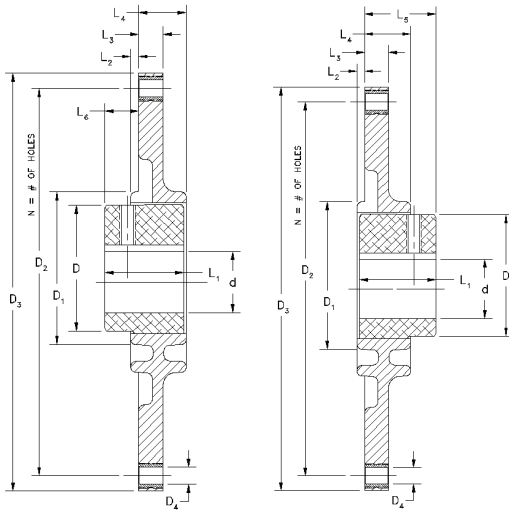
HAYES[®]

We've Got Connections

POWER
TRANSMISSION
PRODUCTS

2-Piece HEX-FLX Couplings

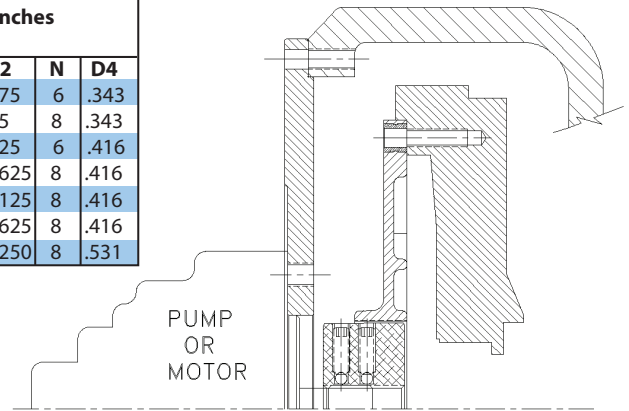
- High torsional stiffness for operation below critical speeds
- Operating temperatures: -40 to +220 F
- Light and compact with long service life
- Handles high shock loads
- Easy, two-piece blind mounting
- Customizable, sintered hub lengths
- Various series for standard SAE flywheels
- Secure locking system to eliminate fretting
- Economically priced and usually in stock



Short Mounting

Standard Mounting

Flange Dimensions in inches (SAE J 620)					
Part Number	Size	D3	D2	N	D4
B-065	6-1/2	8.50	7.875	6	.343
C-075	7-1/2	9.50	8.75	8	.343
C-080	8	10.375	9.625	6	.416
C-010	10	12.375	11.625	8	.416
DT-115	11-1/2	13.875	13.125	8	.416
DT-010	10	12.375	11.625	8	.416
DT-014	14	18.375	17.250	8	.531



IMPORTANT:

For proper assembly instructions, please refer to assembly drawings provided by Hayes. The mounting instructions provided on the assembly drawing will ensure the hub is properly located and clamped to pump or motor shaft.
 (torque wrench required)

Coupling Dimensional Information (English)

Size	Finish Bore		Dimensions (inches)								Dimension to SAE					Optimal Hub Location within
	Max	Min	D	D1	L1	L2	L3	L4	L5	L6	6-1/2	7-1/2	8	10	11-1/2	
HB1	1.375	.508	2.015	3.109	1.13	.16	.50	.96	1.02	.217	•					0.04
HB2	1.375	.508	2.015	3.109	1.35	.16	.50	.96	1.24	.437	•					0.04
HB3	1.375	.508	2.015	3.109	1.60	.16	.50	.96	1.49	.687	•					0.04
HB4	1.375	.508	2.015	3.109	1.90	.16	.50	.96	1.79	.987	•					0.04
HC1	2.0	.508	2.522	4.198	1.33	.16	.50	.96	1.22	.412		•				0.04
HC1	2.0	.508	2.522	4.198	1.33	0	.50	1.13	1.38	.257			•			0.04
HC2	2.0	.508	2.522	4.198	1.60	.16	.50	.96	1.48	.687		•				0.04
HC2	2.0	.508	2.522	4.198	1.60	0	.50	1.13	1.65	.527			•			0.04
HC3	2.0	.508	2.522	4.198	1.75	.16	.50	.96	1.63	.837		•				0.04
HC3	2.0	.508	2.522	4.198	1.75	0	.50	1.13	1.90	.677			•			0.04
HC4	2.0	.508	2.522	4.198	2.13	.16	.50	.96	2.01	1.217		•				0.04
HC4	2.0	.508	2.522	4.198	2.13	0	.50	1.13	2.28	1.057			•			0.04
HC5	2.0	.508	2.522	4.198	2.38	.16	.50	.96	2.26	1.467		•				0.04
HC5	2.0	.508	2.522	4.198	2.38	0	.50	1.13	2.53	1.307			•			0.04
HC6	2.0	.508	2.522	4.198	2.44	.16	.50	.96	2.32	1.527		•				0.04
HC6	2.0	.508	2.522	4.198	2.44	0	.50	1.13	2.59	1.367			•			0.04
HDT1	3.0	.750	3.834	6.500	1.60	.335	.83	1.155	1.32	.485					•	0.04
HDT2	3.0	.750	3.834	6.500	2.00	.335	.83	1.155	1.72	.890					•	0.04
HDT3	3.0	.750	3.834	6.500	2.44	.335	.83	1.155	2.16	1.325					•	0.04

Technical Coupling Data (English)

Technical Data for HEX-FLX Couplings - Torques / Weights / Mass Moments of Inertia											
Size	Torque T (ft.lbs)		General HP Rating	Weight / Mass Moment of inertia J		HEX-FLX Flanges according to SAE					
	T nominal	T max		Units	Std. Bore	6-1/2	7-1/2	8	10	11-1/2	
HB1	225	365	20-75	[lbs]	1.53	.88	-	-	-	-	
				[lb in ²]	1.79	7.89	-	-	-	-	
HB2	225	365		[lbs]	1.76	.88	-	-	-	-	
				[lb in ²]	2.03	7.89	-	-	-	-	
HB3	225	365		[lbs]	2.03	.88	-	-	-	-	
				[lb in ²]	2.3	7.89	-	-	-	-	
HB4	225	365		[lbs]	2.13	.88	-	-	-	-	
				[lb in ²]	2.50	7.89	-	-	-	-	
HC1	585	1125		75-200	[lbs]	2.41	-	1.12	1.17	1.63	-
					[lb in ²]	3.83	-	13.4	15.67	31.01	-
HC2	585	1125	[lbs]		2.82	-	1.12	1.17	1.63	-	
			[lb in ²]		4.41	-	13.4	15.67	31.01	-	
HC3	585	1125	[lbs]		3.05	-	1.12	1.17	1.63	-	
			[lb in ²]		4.72	-	13.4	15.67	31.01	-	
HC4	585	1125	[lbs]		3.61	-	1.12	1.17	1.63	-	
			[lb in ²]		5.5	-	13.4	15.67	31.01	-	
HC5	585	1125	[lbs]		3.98	-	1.12	1.17	1.63	-	
			[lb in ²]		6.01	-	13.4	15.67	31.01	-	
HC6	585	1125	[lbs]		4.23	-	1.12	1.17	1.63	-	
			[lb in ²]		6.37	-	13.4	15.67	31.01	-	
HDT1	1300	3300	200-600	[lbs]	7.88	-	-	-	-	2.93	
				[lb in ²]	30.25	-	-	-	-	-	74.93
HDT2	1300	3300		[lbs]	9.27	-	-	-	-	2.93	
				[lb in ²]	35.31	-	-	-	-	-	74.93
HDT3	1300	3300		[lbs]	10.05	-	-	-	-	2.93	
				[lb in ²]	40.09	-	-	-	-	-	74.93

CALL US TO DISCUSS YOUR SPECIFIC APPLICATION REQUIREMENTS